

K&F Pin-Joint Adapter PASSIO



User's Manual

Translation of the original instructions

Version 2.7

Released: 19.01.2017



**Important Information,
Please Read Before Use!**

KLING & FREITAG GmbH
Junkersstraße 14
D-30179 Hannover
TEL +49 (0) 511 96 99 70
FAX +49 (0) 511 67 37 94
www.kling-freitag.de



Table of contents

| | | |
|-----------|---|-----------|
| 1 | Introduction | 4 |
| 1.1 | Icons Used | 4 |
| 1.2 | About these user's manual | 4 |
| 2 | Product Description | 5 |
| 2.1 | Intended Use | 5 |
| 2.2 | Items Included | 5 |
| 2.3 | Components | 6 |
| 3 | Safety Instructions | 7 |
| 3.1 | Mounting the Speakers / Wall and Ceiling Installation | 7 |
| 3.2 | Admissible load capacity | 7 |
| 4 | Installation and Usage Instructions | 8 |
| 5 | Dimensions and Weight | 10 |
| 6 | EC Declaration of Conformity | 11 |
| 7 | Accessories | 12 |
| 8 | Care and Maintenance | 13 |
| 9 | Transportation and Storage | 13 |
| 10 | Disposal | 13 |

1. Introduction

Thank you for purchasing a KLING & FREITAG product. To guarantee trouble-free operation and enable the KLING & FREITAG PASSIO speaker system to achieve its full potential, please read these user's manual carefully before use. This item is a quality accessory for the PASSIO speaker system. Combining it with your existing speaker system creates an extremely versatile pro-grade tool that meets all requirements in terms of audio quality and safe installation.

1.1 Icons Used



Warning

This icon indicates a risk of injury or death. Not following these instructions may result in serious health problems including potentially fatal injuries.



Caution

This icon indicates a possibly dangerous situation. Not following these instructions may cause minor injuries or damage.



This icon marks instructions for proper use of the described products. Not following these instructions may cause malfunctions or damage.



Tip

This icon marks information provided for simplified use of the described products.

1.2 About these user's manual

© KLING & FREITAG GMBH. All rights reserved.

All specifications regarding the features of the described products and applicable safety guidelines provided in these user's manual are based on information available at the time of publishing.

We assume no responsibility for technical specifications, dimensions, weights, and properties.

All information in these user's manual is subject to change without notice.

To ensure safe operation, all persons using the speaker accessories must have access to this guide and all other relevant material during installation. The speaker accessories must not be set up nor operated unless these user's manual has been read, understood and kept readily available on site.

The original language of all KLING & FREITAG user's manuals is German.

If you need user manuals from KLING & FREITAG, you can order a replacement or download it from our www.kling-freitag.de.

Contact: info@kling-freitag.de
KLING & FREITAG GMBH, Junkersstr. 14, D-30179 Hannover
Telefon +49 (0) 511 96 99 70, Telefax +49 (0) 511 67 37 94

2. Product Description

2.1 Intended Use



Warning

The Pin-Joint Adapter PASSIO is solely for commercial use and may only be used with the loudspeaker PASSIO in the manner described here.

The Pin-Joint Adapter PASSIO may not be used to lift and secure people or objects other than the above-mentioned speaker systems.

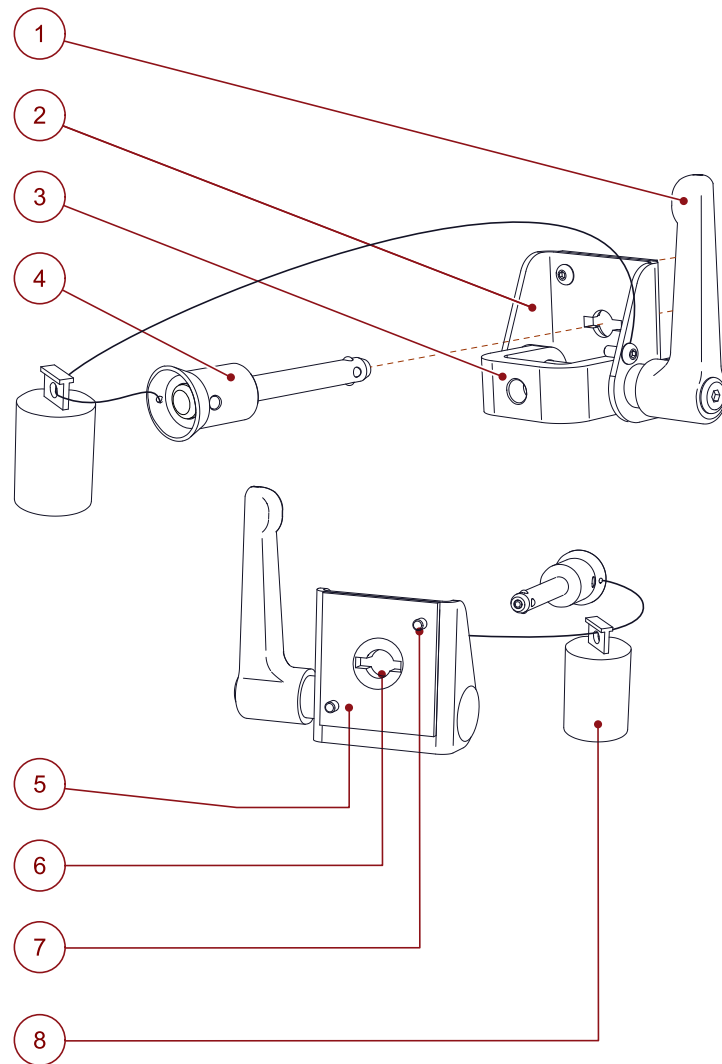
The Pin-Joint Adapter PASSIO is protected from temporary climatic conditions. For long-term use, however, it is designed to be used indoors only.

When used with a Super Clamp, the Pin-Joint Adapter PASSIO can be mounted on trusses or pipes with a diameter of 13 – 50 mm.

2.2 Items Included

- Pin-Joint Adapter PASSIO with mounting plate, captive 'Fixing Pin' and clamp lever M10 (optionally with M10 screw instead of 'Fixing Pin' and with nut instead of clamp lever).
- (1x) User's Manual

2.3 Components



1. Clamp lever M10
2. Mounting plate
3. Hinge bracket with internal M10 thread
4. KLING & FREITAG 'Fixing Pin'
5. Spacer plate
6. Mounting hole
7. Locking pins
8. Cover cap, protects the 'Fixing Pins' from being pressed unintentionally

3. Safety Instructions

3.1 Mounting the Speakers / Wall and Ceiling Installation



Warning

Suspended loads pose a safety risk.

Only qualified technicians are permitted to perform the installation steps. Be sure to use personal protective equipment at all times.

The technicians installing the speaker on site are responsible for and guarantee safe setup and use.

Never use signal cables or power cords for suspending, aligning, or securing the systems.

Before installing, check the stability, strength, and materials of walls, ceilings, and boarding. For example, use suitable rawplugs for wall panels and make sure the strength is sufficient.

Note that the suspension points on the hall ceiling (i.e. shackles, attachment points, or chain hoists) must comply with the DGUV regulations 17 and 18 or similar locally applicable accident-control standards. The maximum load must have been certified by an authorized expert.

Be sure to tighten all bolts and screws to the specified torque.

Unless otherwise stated, use only KLING & FREITAG original parts for mounting the speakers. Never use other parts (in particular, parts not made by KLING & FREITAG).

Make sure all fittings used are suitable for the task at hand and meet all relevant safety requirements.

Ensure that all connections are secured against coming loose and that only authorized, statically tested and correctly sized supports, mounting equipment, wire ropes and chains are used.

Be sure to always visually inspect all safety-related speaker and accessory components before use. If there are signs of wear, cracks, or deformation, etc., replace the affected parts immediately. Visual inspection also includes checking all screwed connections of supporting components.

The information described here does not relieve the user of the duty to follow the given safety requirements and legal regulations.

3.2 Admissible load capacity

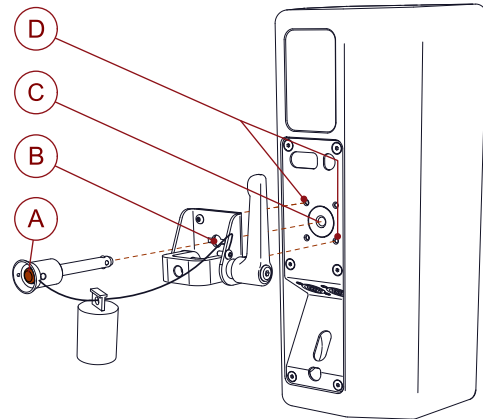


Warning

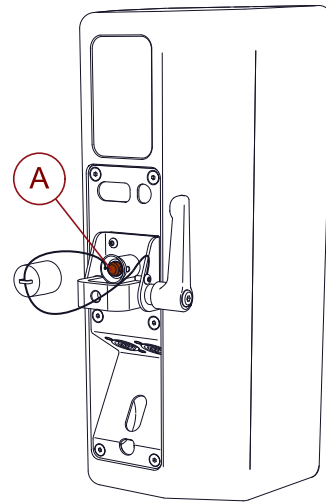
The speaker accessories Pin-Joint Adapter PASSIO may only be used with a speaker of the type PASSIO with a maximum weight of 6.5 kg (BGV C1).

4. Installation and Usage Instructions

1. Place the speaker on a stable support.
2. Press the release button A.
3. Guide the pin through the mounting hole of the mounting plate B into the hole of the K&F VariPoint C.
4. Align the bracket so that the locking bolts grab into the locking holes D in the connecting area.



1. Let go of the release button when you have completely inserted the bolt so that the release button pops back up.
AA
2. Check if the Pin-Joint Adapter PASSIO is securely mounted on the speaker.





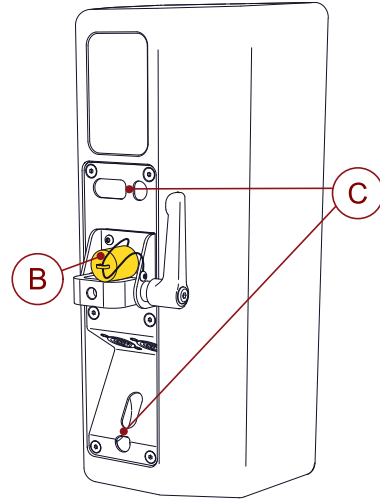
Warning

1. In order to prevent the speaker from falling down, pull the cover cap B over the 'Fixing Pin' so that it cannot be pushed accidentally.

2. Mount the Pin-Joint Adapter PASSIO on the carrier of your choice by using the M10 thread.

3. Release the clamp lever, align the speaker as desired and tighten the clamp lever again.

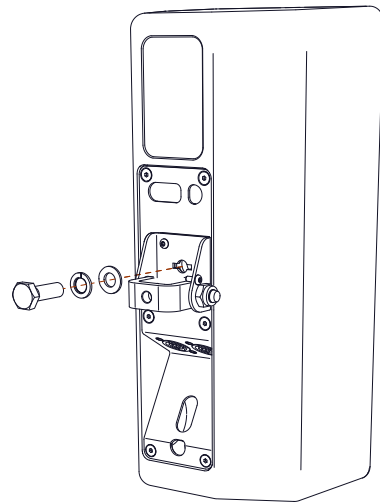
4. Always secure the speaker with a secondary safety device on the safety bars of the connecting area. C



Warning

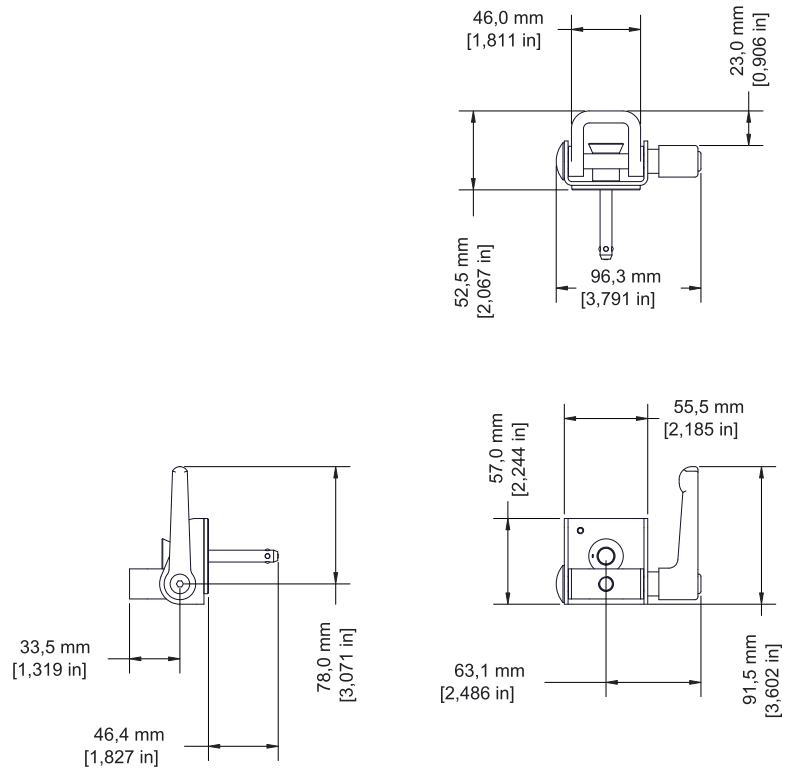
You can alternately get the Pin-Joint Adapter PASSIO with a screw fastening: M10 bolt including washer and lock washer instead of a 'Fixing Pin' and self-locking M10 screw nut instead of a clamp lever.

Screw the Pin-Joint Adapter PASSIO with the M10 bolt including washer and lock washer tightly, as illustrated.



5. Dimensions and Weight

Self-weight: 0.6 kg



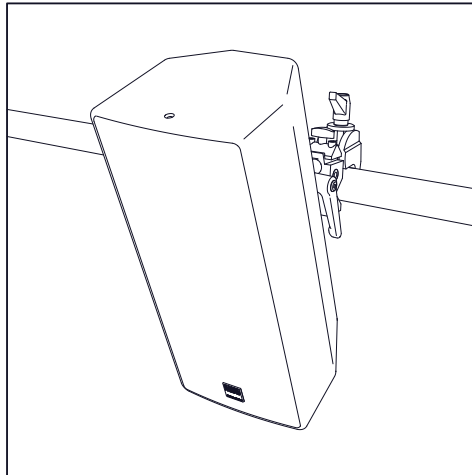
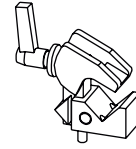
7. Accessories

Super Clamp

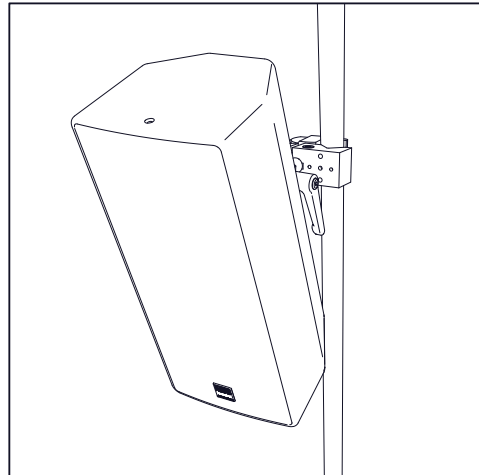
with threaded pin M10

for pipes or plates from 13 to 50 mm, for loads up to 15 kg

Colour: black



Application example with 'Super Clamp' on a horizontal pipe



Application example with 'Super Clamp' on a vertical pipe

8. Care and Maintenance



Warning

1. For the owner and user, it is mandatory to be aware that speaker accessories used to fly or mount the speakers are fundamentally safety-relevant.

Note that the mains cables are delivered with varying connector options or with open wires (mains side), depending on the country or order number.

The accessory Pin-Joint Adapter PASSIO can exhibit signs of wear over the years, i.e. from mechanical strain, transport damage, corrosion, or improper handling.

As a basic principle, you must visually inspect the speaker accessory before and after you use it. For fixed installations, you must inspect it for signs of wear at regular intervals.

When performing those checks, particularly look for deformations, cracks, dents, damage to threads, and corrosion. Also check slings and lifts (e.g. shackles, chains, and steel ropes) carefully for wear and deformation.

If as a result of these checks any uncertainty should arise with regard to safety or if specific faults are found, stop using the accessories and send in the product to KLING & FREITAG GMBH for inspection and repairs, if necessary.

Inspection regulations may vary depending on application and country of use. Observe all applicable regulations; when in doubt, contact the local authorities.

Many countries require regular inspection of mounting components and accessories. An additional annual inspection is typically required to be performed by a technical expert. Moreover, a legally certified or official authority must perform a detailed inspection every four years.

Therefore, be sure to maintain an inspection log. Enter the values determined for each speaker and accessory during the periodic checks into this log. This way, relevant data are always at hand in case of inspection. The log should also document maintenance measures and inspection intervals and contain parts lists.

2. Clean this speaker accessory regularly using a corrosion-prevention penetrating oil (for example, WD-40®).

9. Transportation and Storage

The speaker accessory Pin-Joint Adapter PASSIO is protected against short term moisture. Store, transport, and use the accessories in dry environments only. This speaker accessory is not designed for long-term use in a corrosive environment.

Make sure that the system is adequately ventilated during longer storage periods so any residual moisture can escape from the equipment.

Furthermore, you have to ensure that the accessory Pin-Joint Adapter PASSIO is protected from mechanical strain to prevent possible damage.

10. Disposal

Dispose of this product in compliance with your national regulations.

Ensure that after being disposed of that this product cannot be used again or in any other way.

INDEX

| | |
|-------------------------------------|----|
| • Accessories..... | 12 |
| • Care..... | 13 |
| • Components..... | 6 |
| • Dimensions..... | 10 |
| • Disposal..... | 13 |
| • EC Declaration of Conformity..... | 11 |
| • Intended Use..... | 5 |
| • Items Included..... | 5 |
| • Maintenance..... | 13 |
| • Mounting..... | 8 |
| • Power handling..... | 7 |
| • Product Description..... | 5 |
| • Safety Instructions..... | 7 |
| • Storage..... | 13 |
| • Transportation..... | 13 |
| • Weight..... | 10 |