

# K&F NOMOS XLC

- High-performance 3 x 18" subwoofer for 2 channel operations
- Cardioid and/or hypercardioid directivity with high rear attenuation
- Operation with K&F SystemAmps
- Frequency response 28 Hz (-10 dB)
- Maximum sound pressure level of 139dB (SPL peak/1 m/half space)



The K&F NOMOS XLC is a cardioid 3 x 18" subwoofer for a multifunctional variety of high-performance uses. Its possibilities of use range from theatre and opera to disco, club, live, and large open air events.

With its innovative construction and unique design, the K&F NOMOS XLC is also extremely well-suited for use as a sub-low speaker or a classic bass system. It unites enormous and precise low bass with the necessary punch. The extremely broadband, balanced, fast, and precise bass playback justifies an entirely new generation of subwoofers. From a mechanical and acoustic perspective, the K&F NOMOS XLC is extremely resonance-free and is designed with the lowest possible group delay time.

Because of the reduced interference and the directional bass share of the front sound coverage, working with the cardioid is efficient and simple. NOMOS XLC reduces the rear sound pressure broadband by -12dB to -24dB without any limitations in the performance capabilities and the sound characteristics. As a result, the sound level of the stage monitors can, for example, be significantly reduced.

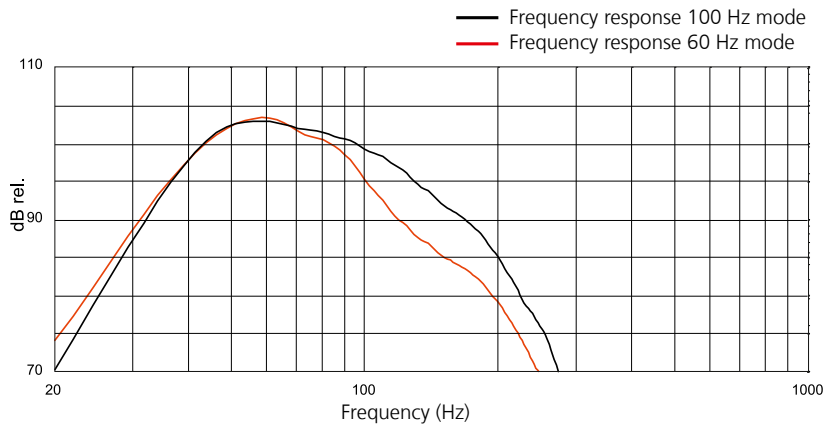
In designing the NOMOS XLC, special attention was paid to good handling in daily use, thus saving work-hours and time. The minimal weight, compact dimensions, and well thought-out design as well as adhering to the trucking dimensions save storage and transport volume.

The NOMOS XLC is easily set-up using 'Plug & Play' via the K&F SystemAmps. With the Break Out Box BOB-C, up to three NOMOS XLC can be operated from one K&F SystemAmps.

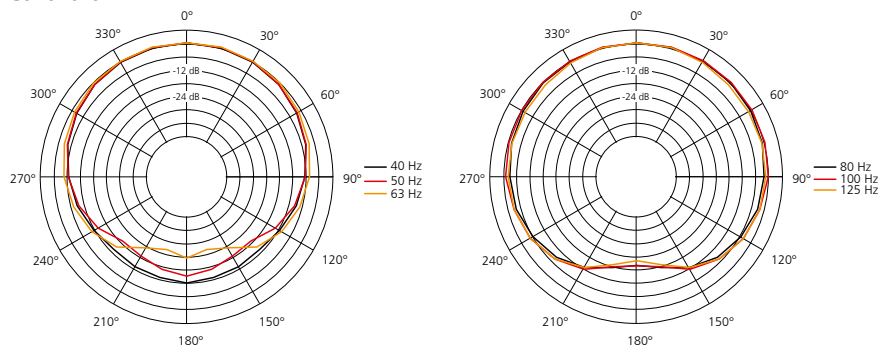
The sum of all of these features makes the K&F NOMOS XLC a notably musical, professional, and cost-saving tool that makes room for what is truly important: the targeted and creative crafting of acoustic impressions.

K&F NOMOS XLC	
<b>Design</b>	Bass reflex system
<b>Operation with</b>	K&F PLM+ Series, K&F D Series, K&F SystemRack <sup>1</sup> , K&F TOPAS <sup>1</sup>
<b>Lower cut-off frequency</b>	28 Hz (-10 dB) 33 Hz (-3 dB)
<b>Coverage</b>	Cardioid/Hypercardioid
<b>Power handling nominal</b>	1,000 watts (front) 500 watts (rear)
<b>Power handling program</b>	2,000 watts (front) 1,000 watts (rear)
<b>Power handling peak</b>	4,000 watts (front) 2,000 watts (rear)
<b>Max. SPL</b>	139 dB (SPL peak/1 m/half space)
<b>Impedance nominal</b>	4 Ω (front speakers) 8 Ω (rear speaker)
<b>Loudspeaker per channel</b>	See matrix
<b>Components</b>	3 x 18" long excursion chassis, 100 mm voice coil with double centering, internal and external ventilation, double demodulation ring for minimal distortion
<b>Connectors</b>	2 x speakON® 4-pin NLT4MP front speakers: 1+ / 1- rear speaker: 2+ / 2- IN parallel to OUT
Enclosure	
	15 mm birch multiplex with highly resilient Polyurea synthetic coating in RAL 9005 (black), 8 ergonomical butterfly handles, 8 non-abrasive plastic sliders, 8 stacking grooves for save stacking of NOMOS LS II, NOMOS LT and Line 212, 2 locking profiles for optional transport cover with 4 x 100 mm transport castors, additional speakON®-connector hidden behind the rotatable logo on the front grille, ball-proof steel grille with black acoustic foam behind the grille
<b>Dimensions (W x H x D)</b>	1200 x 600 x 903 mm (incl. Castors)
<b>Weight</b>	95 kg
<b>Colour</b>	RAL 9005 (black) RAL special colour
<b>Options</b>	'Suspension' with 3 K&F VariPoints®
<b>Accessories</b>	See catalogue or visit <a href="http://www.kling-freitag.com">www.kling-freitag.com</a>

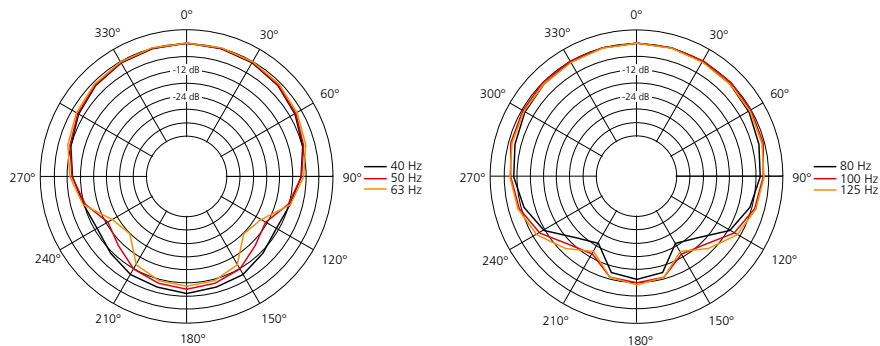
<sup>1</sup> Discontinued in October 2015



### Cardioid



### Hypercardioid



All measurements under free field conditions. Frequency patterns 1/6 octave averaged. Coverage and polar pattern 1/3 octave averaged. The manufacturer reserves the right to make product alterations to improve product quality without prior notice. Errors excepted.

